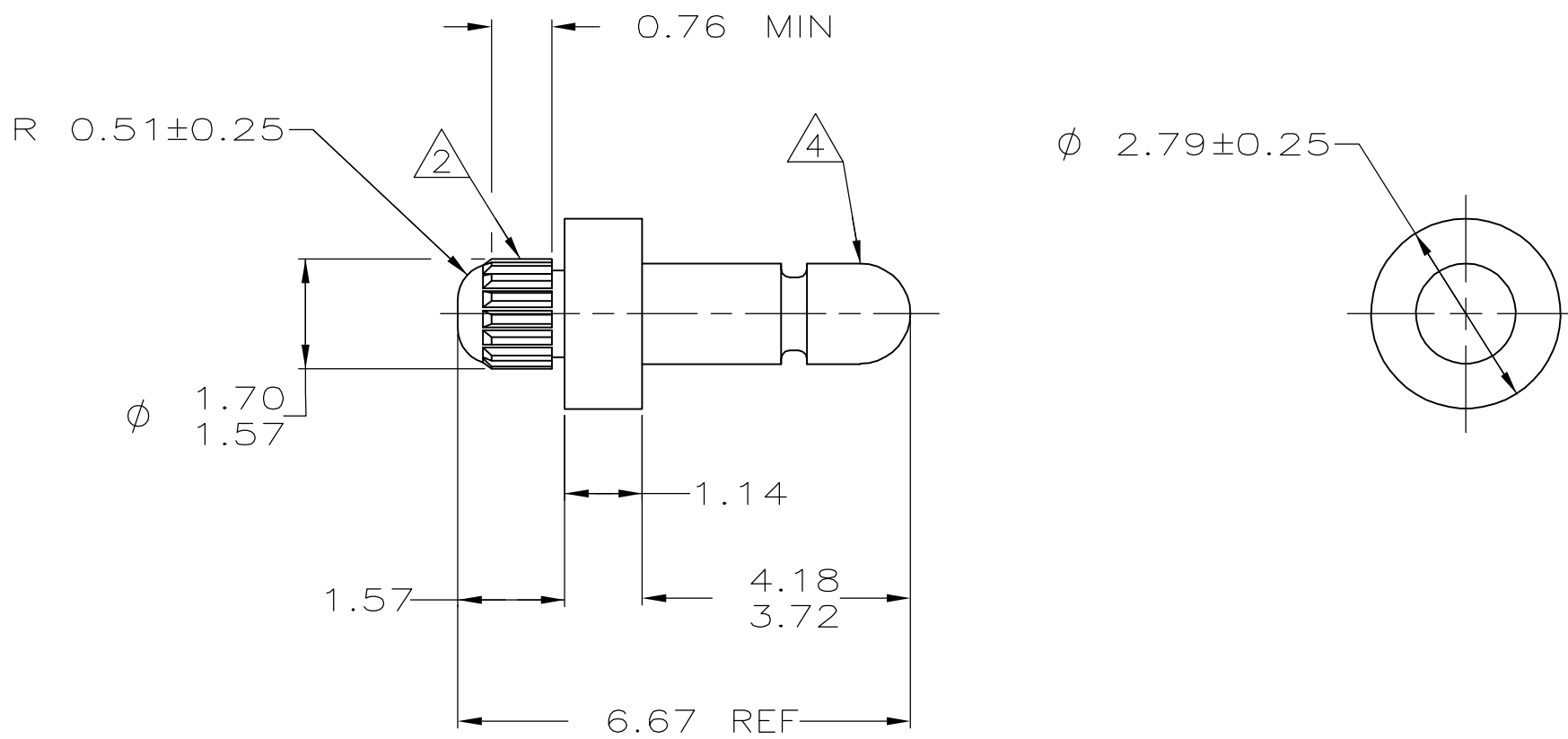


THIS DRAWING IS UNPUBLISHED. RELEASED FOR PUBLICATION  
 © COPYRIGHT BY TYCO ELECTRONICS CORPORATION. ALL RIGHTS RESERVED.

LOC	DIST	REVISIONS			
P	LTR	DESCRIPTION	DATE	DWN	APVD
	H	REVISED PER ECO-06-010625	18MAY06	KW	JE

- ① 0.00381 MIN BRIGHT TIN LEAD PLATING ALL OVER.
- ② REED STRAIGHT TOOTH KNURL CS 80-80 T.P.I., 125 TEETH, 70° INCLUDED ANGLE. FITS 1.50 - 1.57 DIAMETER HOLE IN A 0.79 PRINTED CIRCUIT BOARD.
- 3. PARTS TO COMPLY WITH AMP SOLDERABILITY SPECIFICATION 109-11-3.
- ④ MATES WITH AMP PARTS 60354, 60598 OR 60804.
- ⑤ 0.00381 MIN BRIGHT TIN PLATING ALL OVER.



MM	IN
6.67	.263
4.18	.165
3.72	.146
2.79	.110
1.70	.067
1.57	.062
1.50	.059
1.47	.058
1.14	.045
0.79	.031
0.76	.030
0.51	.020
0.25	.010
0.13	.005
0.00381	0.000150
MM	IN

CONVERSION TABLE

**METRIC**

⑤	3-60839-1
①	60839-1
FINISH	PART NUMBER

THIS DRAWING IS A CONTROLLED DOCUMENT.		DWN T. BECK 8-15-97	Tyco Electronics Corporation Harrisburg, PA 17105-3608	
DIMENSIONS: mm		CHK R. SWING 8-15-97		
TOLERANCES UNLESS OTHERWISE SPECIFIED:		APVD A. BEDDICK 9-10-97	NAME PIN, .058 DIAMETER, BRASS, KNURLED, P.C. CONTACT	
0 PLC ± - 1 PLC ± - 2 PLC ± 0.13 3 PLC ± - 4 PLC ± - ANGLES ± -		PRODUCT SPEC 108-1025	RESTRICTED TO	
MATERIAL BRASS		APPLICATION SPEC 114-1008	SIZE A3	CAGE CODE 00779
FINISH SEE TABLE		WEIGHT -	DRAWING NO C-60839	REV H
CUSTOMER DRAWING			SCALE 10:1	SHEET 1 OF 1